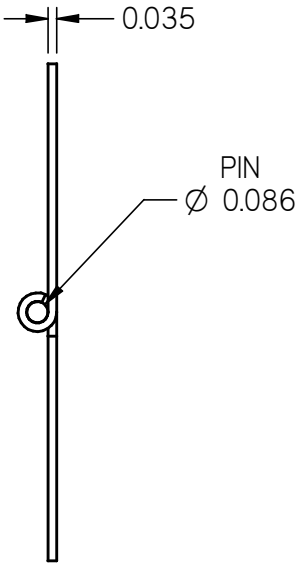
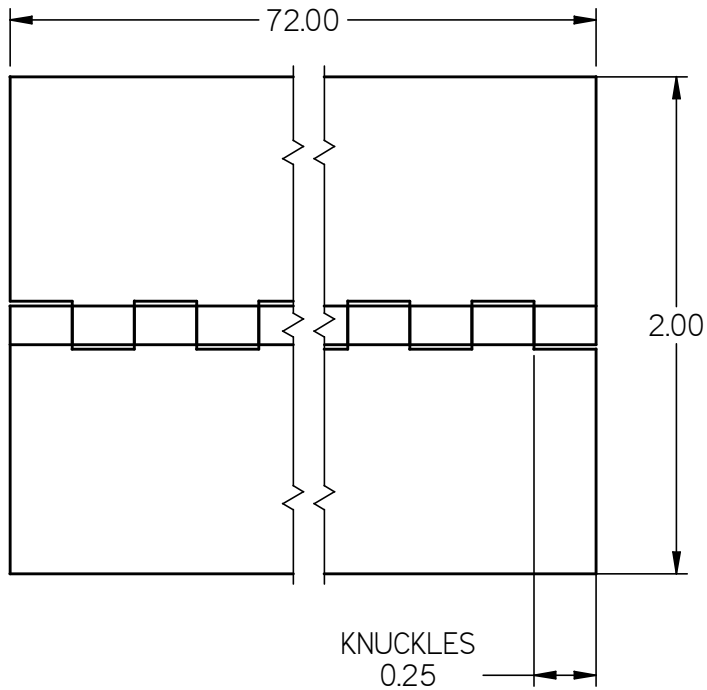


REVISION HISTORY			
REV	DESCRIPTION	DATE	APPROVED
0	FIRST RELEASE	11/21/07	



B

B

A

A

NOTES:

- 1. MATERIAL: TYPE 304 STAINLESS STEEL
- 2. FINISH: 2B MILL
- 3. SCALE: 2:1 (DO NOT SCALE)

		NAME	DATE
		DRAWN TOM	11/21/07
CHECKED			
DWG NO		SS032010	REV 0
TITLE CONTINUOUS HINGE			
TOLERANCES		THIRD ANGLE PROJECTION	
XX	±0.060		SCALE N.T.S.
XXX	±0.030		SIZE
XXXX	±0.015		B
ANGLES	±1.0°		
HOLES	±0.005	SHEET 1 OF 1	
REMOVE ALL BURRS & BREAK ALL SHARP EDGES	ALL DIMENSIONS ARE IN INCHES UNLESS OTHERWISE SPECIFIED		

4

3

2

1