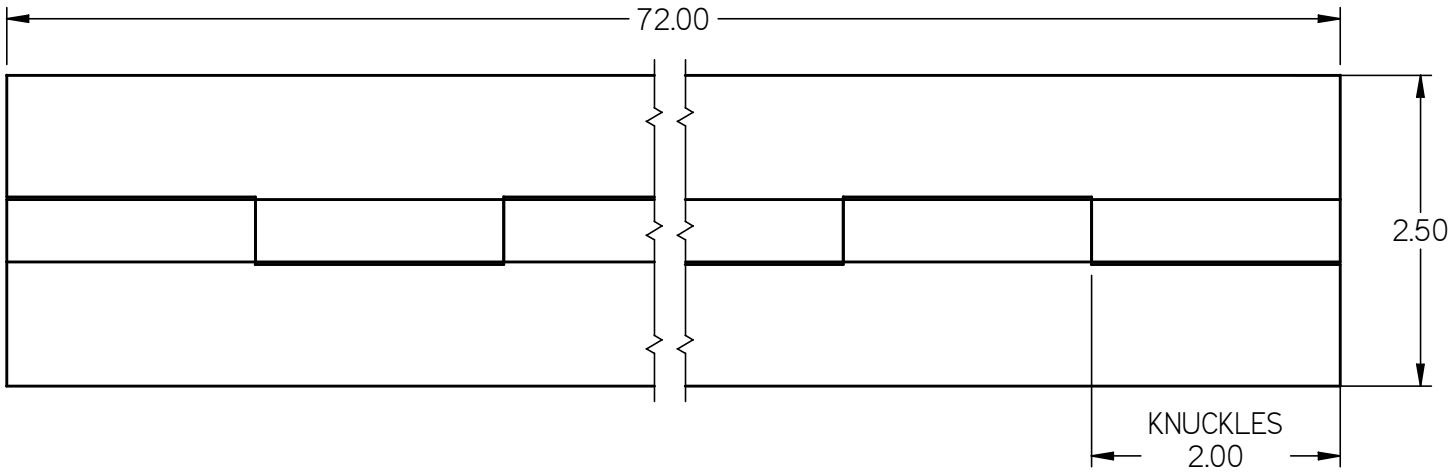


REVISION HISTORY			
REV	DESCRIPTION	DATE	APPROVED
0	FIRST RELEASE	11/21/07	



	NAME		DATE
	DRAWN	TOM	11/21/07
<small>CE DOCUMENT AINSI QUE SON CONTENU SONT LA PROPRIETE DE QUICALLERIE INDUSTRIELLE NORMONT L.T.E.E. CE DOCUMENT CONTIENT DE L'INFORMATION CONFIDENTIELLE PROTEGEE EN DROIT. TOUTE REPRODUCTION, DISTRIBUTION, UTILISATION OU COMMUNICATION DE CE DOCUMENT OU DE SON CONTENU SANS CONSENTEMENT EXPRESS SONT STRICTEMENT INTERDITES.</small> <small>THIS DOCUMENT AND ITS CONTENTS ARE THE PROPERTY OF NORMONT INDUSTRIAL HARDWARE LTD. THIS DOCUMENT CONTAINS CONFIDENTIAL PROPRIETARY INFORMATION. THE REPRODUCTION, DISTRIBUTION, UTILISATION OR THE COMMUNICATION OF THIS DOCUMENT OR ANY PART THEREOF, WITHOUT EXPRESS AUTHORIZATION IS STRICTLY FORBIDDEN.</small>	DWG NO		REV
	PSI22569		0
TITLE			
CONTINUOUS HINGE			
TOLERANCES		THIRD ANGLE PROJECTION	
XX	±0.060		SCALE
XXX	±0.030		
XXXX	±0.015	SHEET 1 OF 1	N.T.S.
ANGLES	±1.0°		
HOLES	±0.005	SIZE	
REMOVE ALL BURRS & BREAK ALL SHARP EDGES		B	
ALL DIMENSIONS ARE IN INCHES UNLESS OTHERWISE SPECIFIED			

- NOTES:
1. MATERIAL: PLAIN STEEL
 2. FINISH: NONE
 3. SCALE: 1:1 (DO NOT SCALE)